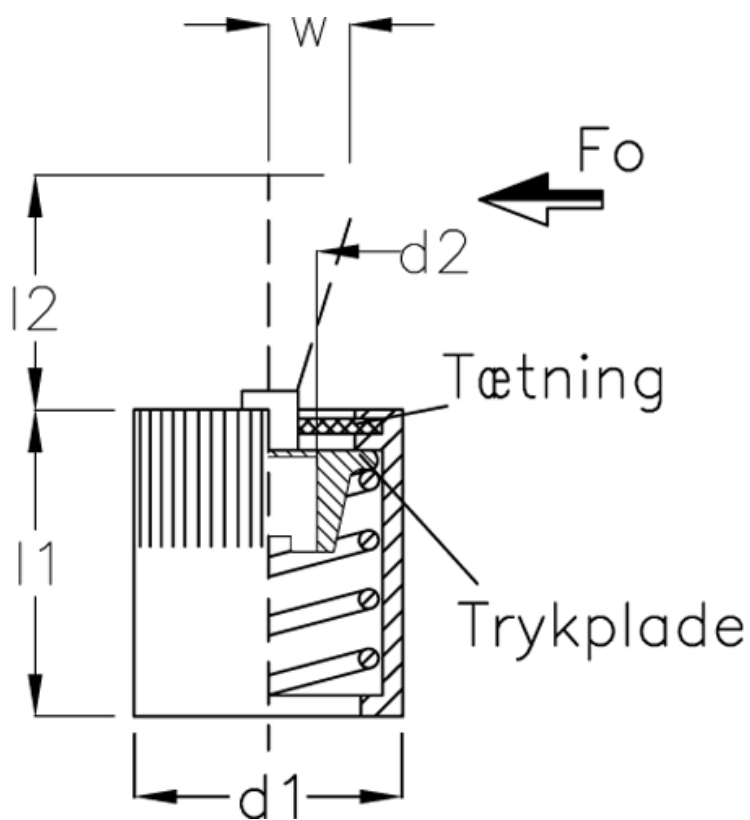


# Data Sheet



Article number: 20100008E  
Description: E+G  
Side thrust pin GN 714-10-150

## Measures



d1	= 10
d2	= M4
d3	= 10
H	= 12
l1	= 12
l2	= 7.5
screw driver	= GN 715.1-5
Side power N at l2	= 150

W = 2.0